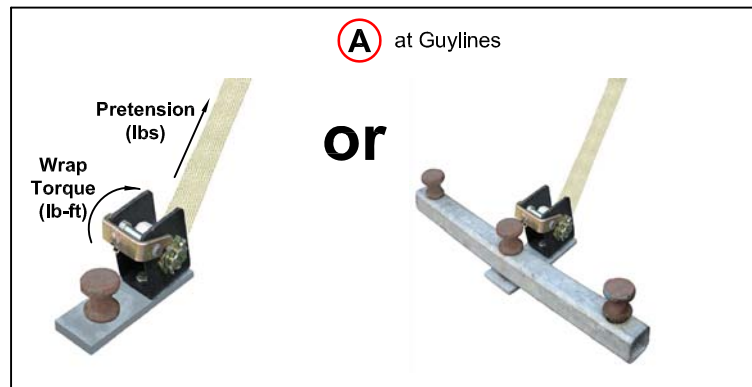


Legend

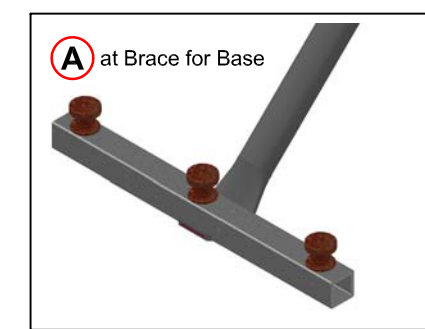
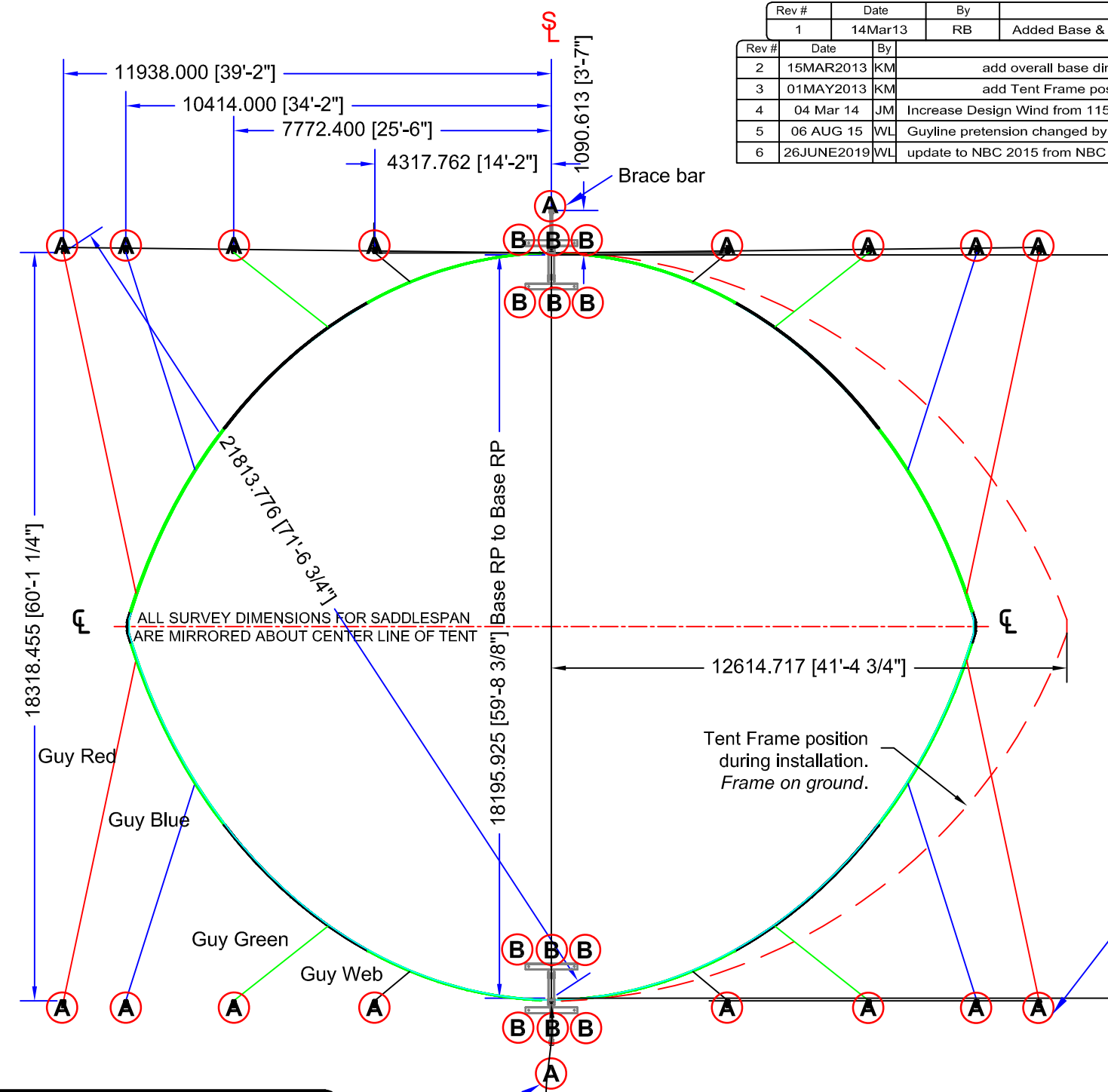
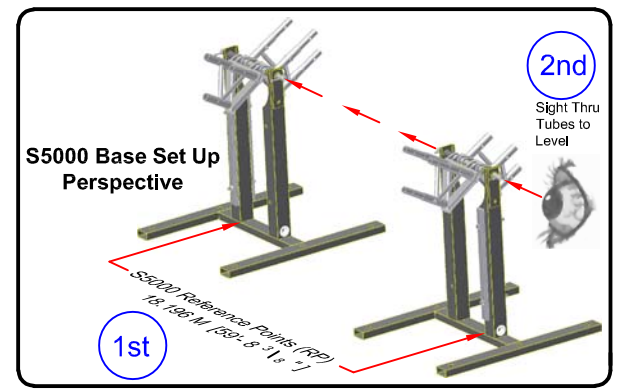
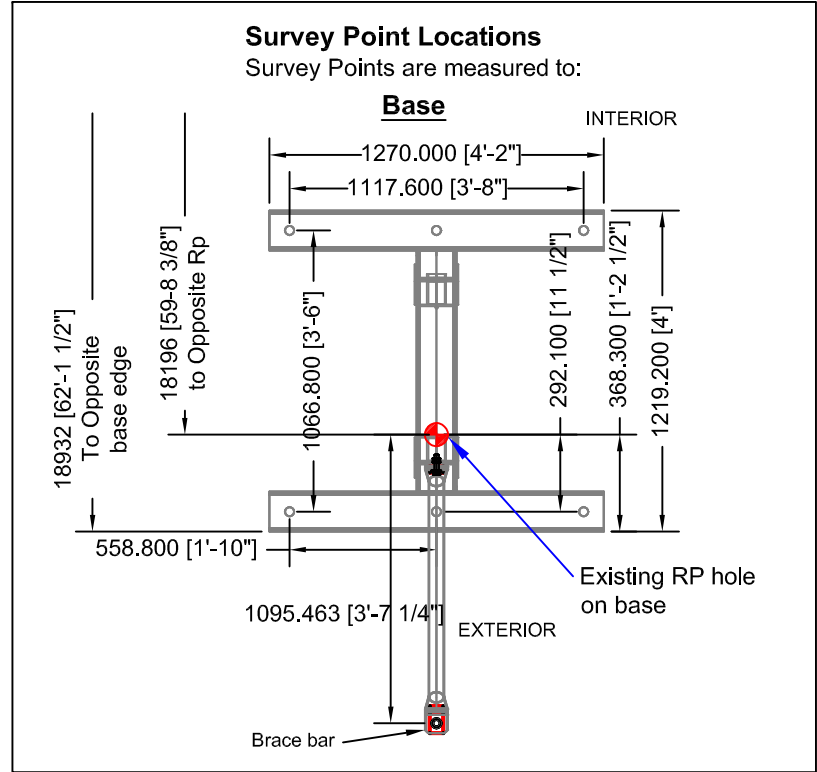
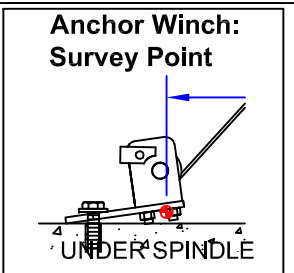
- A** = 42" Ø1-1/8" Hogan Double Head Stake
Or 3 x 42" x 1-1/8" Double Head Stake
For poor soil conditions
- B** = 42" Ø1-1/8" Hogan Double Head Stake

Note: This anchor system may or may not be appropriate for your use. User shall employ anchorage system appropriate to the site sub-soil & surface conditions. Anchor shall achieve resistance equal to or greater than reactions indicated for Saddle Span configuration

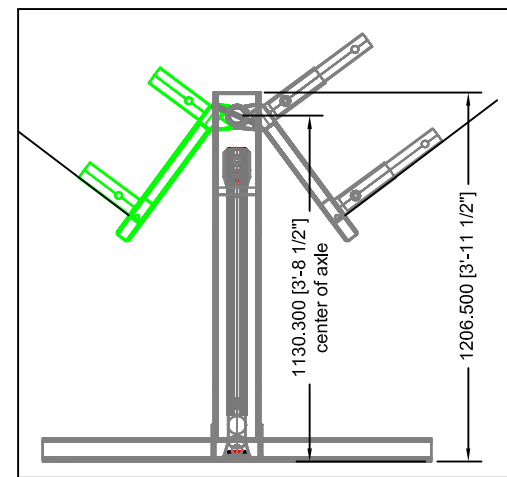
Rev #	Date	By	Description	Chk	Apv
1	14Mar13	RB	Added Base & Brace Bar Dims		
2	15MAR2013	KM	add overall base dimension width, length, height		RB
3	01MAY2013	KM	add Tent Frame position on ground measurement.		
4	04 Mar 14	JM	Increase Design Wind from 115 to 120 mph to Match General Arrangement		
5	06 AUG 15	WL	Guyline pretension changed by field test for using Mehler fabric 118"		NZ
6	26JUNE2019	WL	update to NBC 2015 from NBC 2005		NZ



OPEN	Pretension (lbs)
Guy Red	780
Guy Blue	650
Guy Green	900
Guy Web	900



Guyline locations are optimal. 1 meter radius variance allowed.



This structure meets or exceed the following: Design Wind IBC-2012; 120MPH Basic wind speed; NBC 2015, Section 4.1.7; DIN 4112 Wind Pressure 0.5kPa; Snow load is not considered; Fire - ULC S109, Calif. Fire Marshall, & M2; NFPA 701. User Note: This structure is designed for temporary use. Tent integrity is a direct function of installation quality. Follow installation instructions, adding stakes as conditions require. Do not exceed design parameters or local ordinances for public assembly. Stakes & guying indicated on this drawing may or may not be appropriate for soil & site conditions. When in doubt, consult local engineer. Dimensions shown in millimetres unless stated otherwise. **CLIMBING ON TENT CAN RESULT IN INJURY OR DEATH**
 \\vfstentshare\A_Product\AAMasterEngineer\50.32.110 SURVEY.DWG Printing: Jul 14, 2020-15:12

tentnology co.
 15427 66th Avenue Surrey B.C. Canada V3S 2A1
 Tel: (604) 597-8368 Fax: (604) 597-8749 e-mail: tent@tentnology.com

SADDLESPAN S5000P OPEN SURVEY
 Project: S5000P Scale: NTS Sheet No: 1 of 1
 Dwg By: KM Date: 31 MAY2011 File:
 Ck'd By: NZ/AP App'd: *[Signature]*
50.32.110 SURVEY